

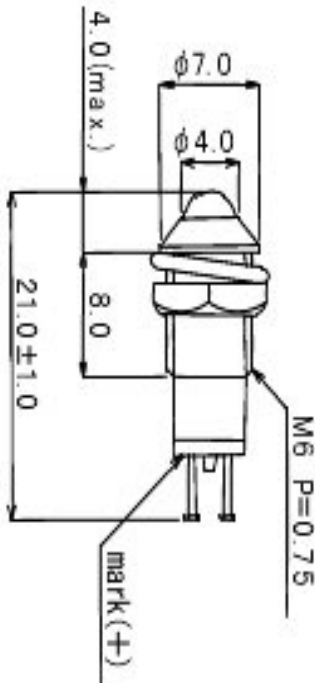


Model 406 Light Emitting Diode (2 volt)

Model 406 LED Indicator Lights are manufactured from chrome plated brass. The LED is installed in a manner that the lens of the LED forms a macrodome lens for the indicator light. They are also available with a black anodized body. The 2-volt version mounts in a 6 mm panel hole.



Package Dimensions



Part Number	Color	Max Current mA	Voltage	Luminosity
LED-406G	Green	30	2.2 Volts	.4 mcd
LED-406GBO	Green - Black Body	30	2.1 Volts	1 mcd
LED-406R	Red	30	2 Volts	.6 mcd
LED-406RBO	Red - Black Body	30	2 Volts	.6 mcd
LED-406R/G	Red / Green Bi-color	30	2 Volts	.6 mcd
LED-406R/GB0	Red/Green Bi-color Black Body	30	2 Volts	.6 mcd
LED-406Y	Yellow	25	2.1 Volts	2.5 mcd
LED-406YBO	Yellow Black Body	25	2.1 Volts	2.5 mcd

